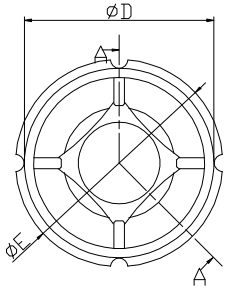


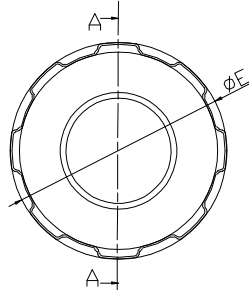


**ALPHA 901**

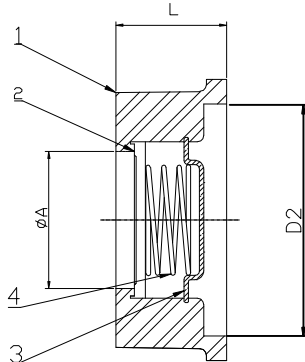
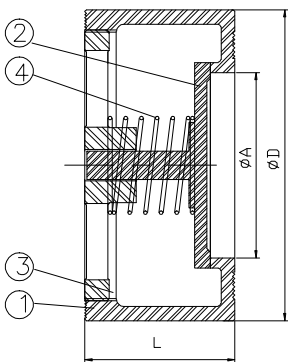
45° section  
for size DN15~DN65



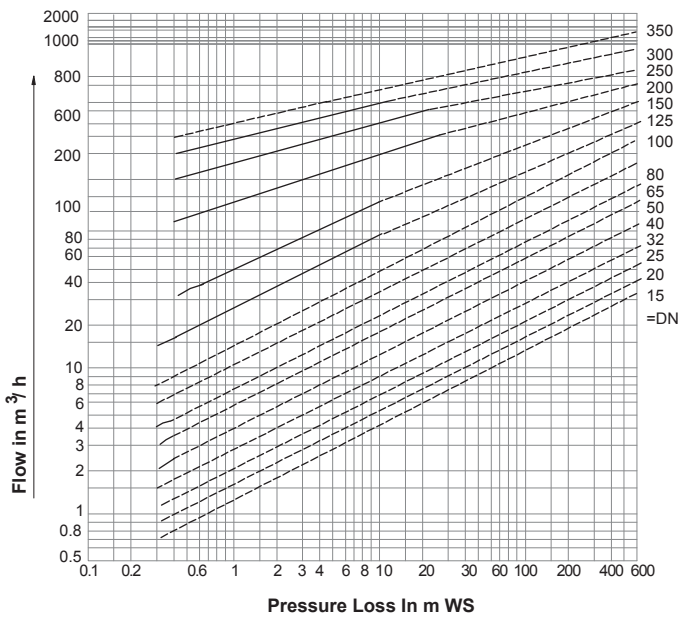
90° section  
for size DN80~DN100



for size DN125~DN200



**Pressure Loss Curves**  
(Referred to Water at 20 °C)



**Dimensions (mm)**

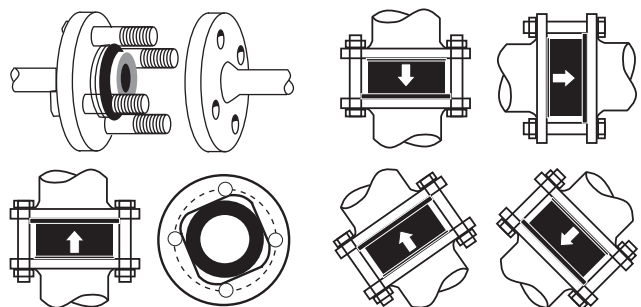
DN	inch	ØA	ØD	ØD2	ØE	L	W(kg)
15	1/2"	15	42	34	51	16	0.1
20	3/4"	20	47	37	61	19	0.16
25	1"	25	56	46	71	22	0.28
32	1-1/4"	32	73.5	63	80	28	0.52
40	1-1/2"	38	87	76	92	31.5	0.7
50	2"	50	97	83	107	40	1.1
65	2-1/2"	62	117	103	127	46	1.58
80	3"	76.5	133	115	142	50	1.76
100	4"	96	152	135	168	60	3.3
125	5"	105	187			90	7.4
150	6"	130	217			105	10.4
200	8"	170	273			140	17.4
250	10"	200	330			220	43.0
300	12"	225	375			250	70.0
350	14"	270	440			280	110.0

**Material**

No	Description	Material
1	Body	1.4408
2	Disc	1.4408
3	Spring Holder	CF8M
4	Spring	316

DN (mm)	DN (inch)	Minimum opening pressure std. (x0.01=kg/cm2)		
		↑	→	↓
15	1/2"	25	23	21
20	3/4"	25	23	21
25	1"	25	23	21
32	1-1/4"	27	24	21
40	1-1/2"	29	25	21
50	2"	29	25	21
65	2-1/2"	31	25	21
80	3"	32	26	21
100	4"	33	27	21
125	5"	55	45	33
150	6"	70	60	33
200	8"	110	90	33
250	10"	200	120	60
300	12"	300	150	80
350	14"	500	250	100

**Installation :** In any position



\*last updated 10/16